



US005503370A

United States Patent [19]

Newman et al.

[11] Patent Number: **5,503,370**

[45] Date of Patent: **Apr. 2, 1996**

[54] **METHOD AND APPARATUS FOR THE INJECTION OF CABLE INTO COILED TUBING**

[75] Inventors: **Kenneth R. Newman, Willis; Lyndon R. Stone, Humble; David C. Tong, Conroe, all of Tex.**

[73] Assignee: **CTES, Inc., Conroe, Tex.**

[21] Appl. No.: **272,021**

[22] Filed: **Jul. 8, 1994**

[51] Int. Cl.⁶ **E21C 29/16**

[52] U.S. Cl. **254/134.3 FT; 254/134.4; 254/134.3 R**

[58] Field of Search 254/134.3 FT, 254/134.4, 134.3 R; 15/109.06 R; 226/25, 43, 178

[56] **References Cited**

U.S. PATENT DOCUMENTS

- 2,630,180 3/1953 Summers .
- 2,677,427 5/1954 McKinney et al. .
- 2,720,266 10/1955 Broussard et al. .
- 2,810,439 10/1957 McCullough et al. .
- 3,190,616 6/1962 Oleson .
- 3,837,624 9/1974 Dandurand 254/134.4

- 3,866,679 2/1975 Laky .
- 3,920,076 11/1975 Laky .
- 4,091,867 5/1978 Shannon, Jr. et al. .
- 4,456,225 6/1984 Lucas 254/134.3 FT
- 4,529,148 7/1985 Hesprich et al. .
- 4,542,787 9/1985 Parker .
- 4,850,569 7/1989 Griffioen et al. .
- 5,029,816 7/1991 Langston .
- 5,046,674 9/1991 Kolschbach et al. 254/134.4
- 5,123,075 6/1992 Renton 254/134.4
- 5,143,353 9/1992 Sano et al. 254/134.4
- 5,188,173 2/1993 Richardson et al. .
- 5,211,377 5/1993 Griffioen et al. 254/134.4
- 5,308,041 5/1994 Griffioen et al. .
- 5,324,006 6/1994 Pickrell 254/134.3 FT

FOREIGN PATENT DOCUMENTS

0565287A1 10/1993 European Pat. Off. .

Primary Examiner—Robert C. Watson
Attorney, Agent, or Firm—Gunn & Associates

[57] **ABSTRACT**

An apparatus for the installation of cable into a reel of coiled tubing includes a cable injector. The cable injector comprises a capstan drive within a pressure housing. In a preferred embodiment, the capstan drive forms a portion of the pressure housing and is retractable for easy placement of the cable onto the capstan.

17 Claims, 5 Drawing Sheets

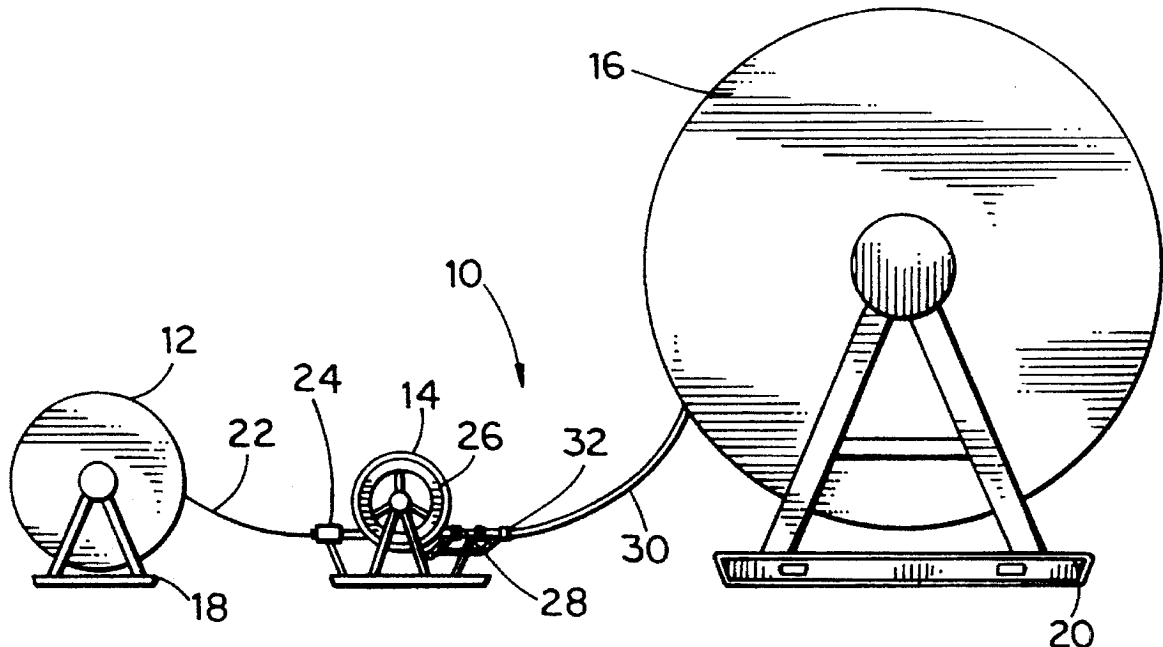


Fig. 1

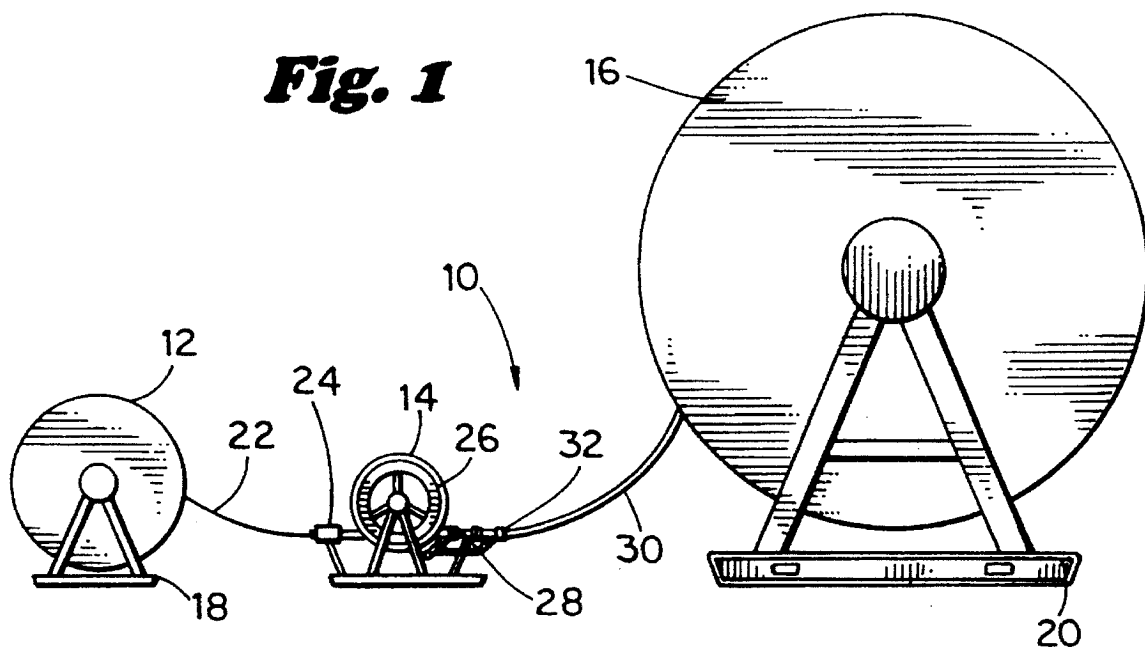
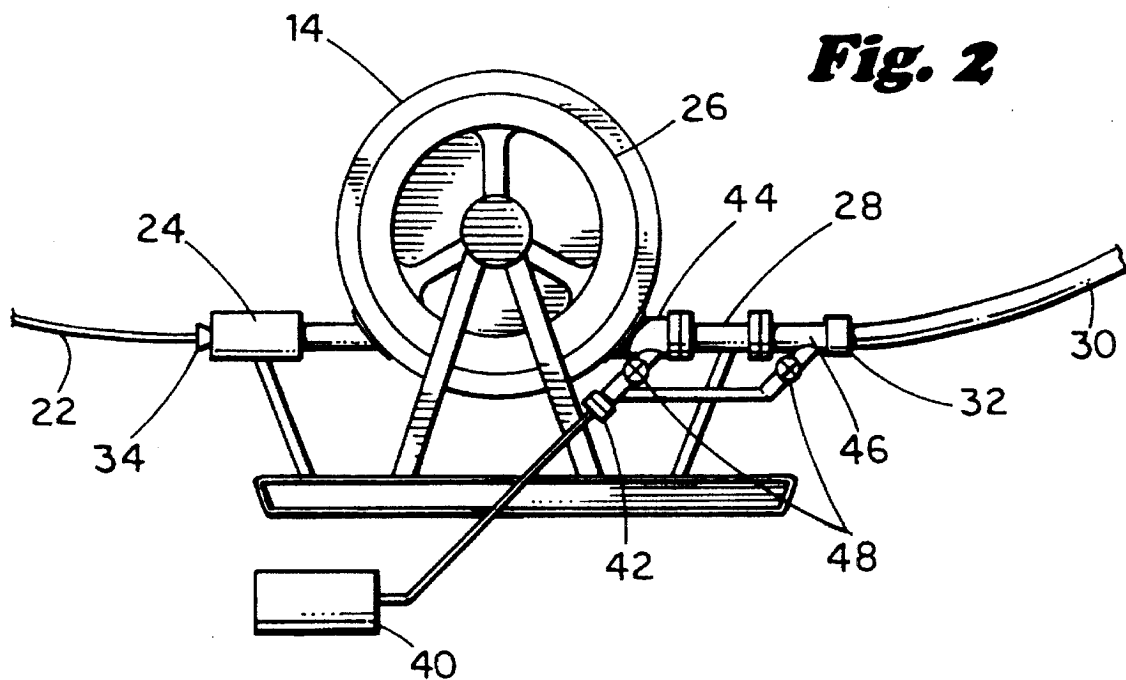


Fig. 2



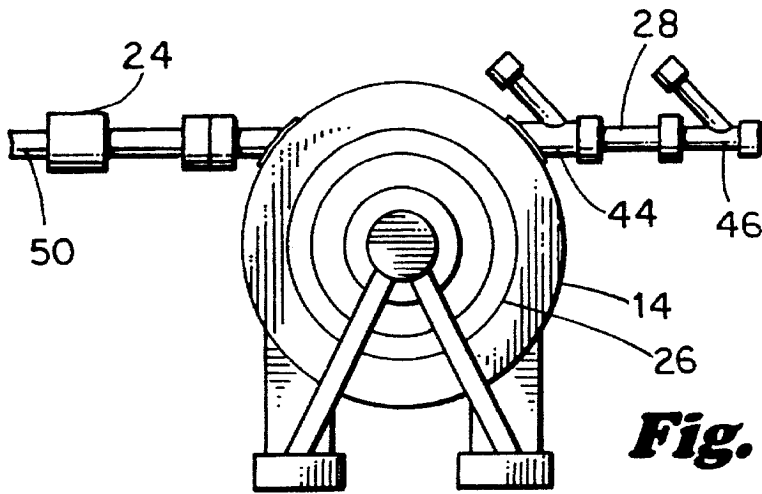


Fig. 3

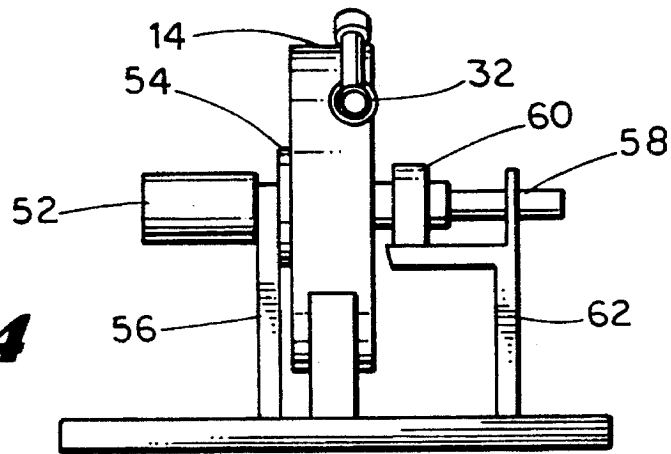


Fig. 4

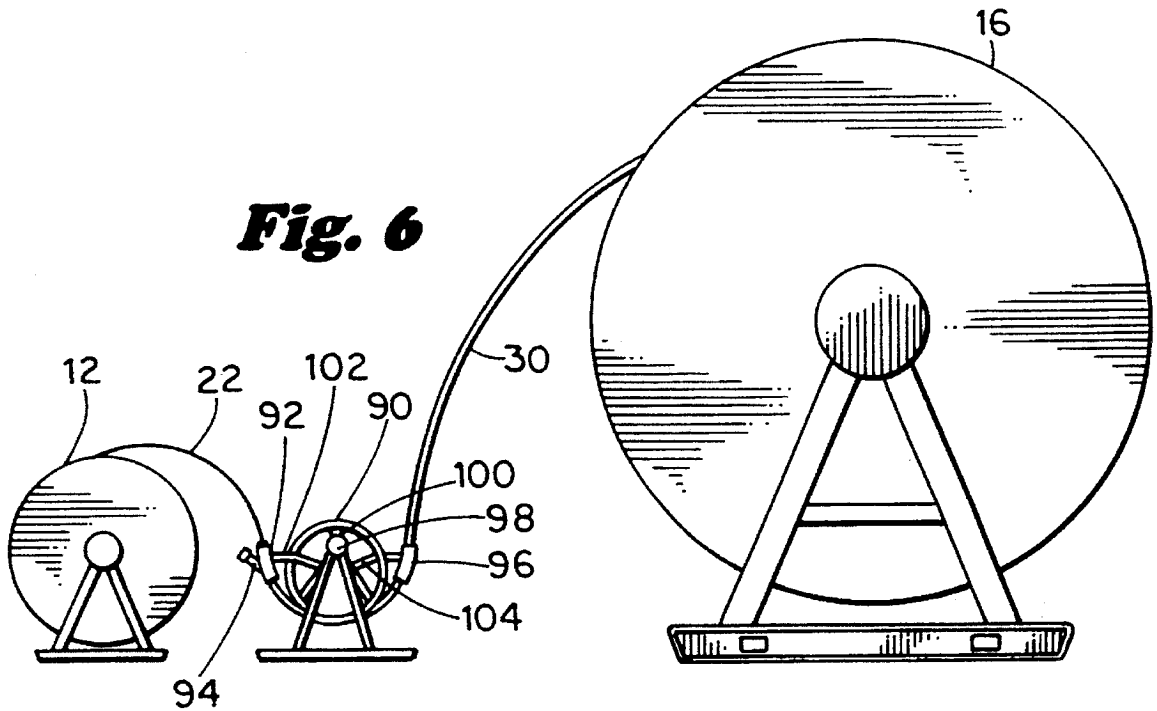
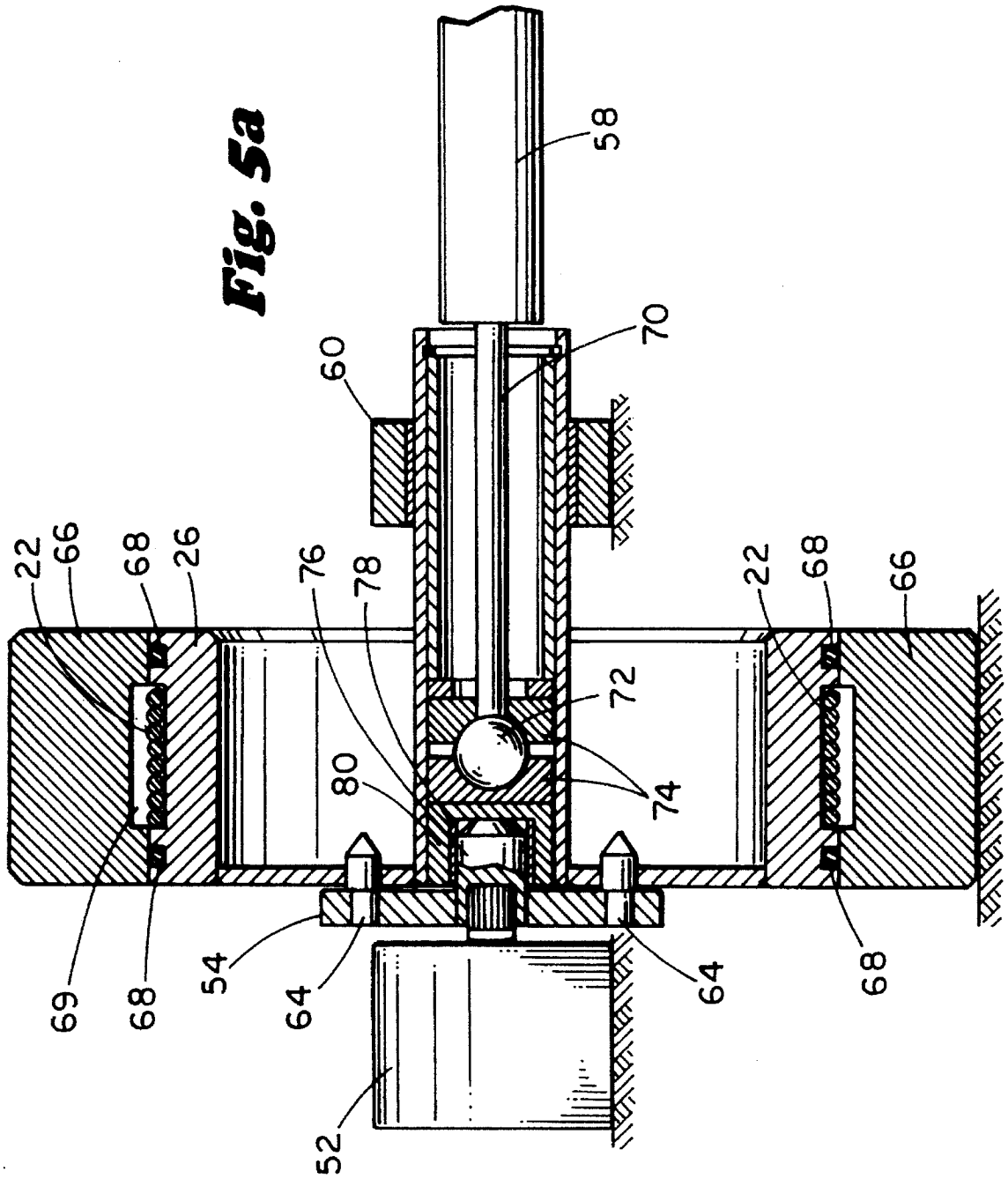


Fig. 6

Fig. 5a



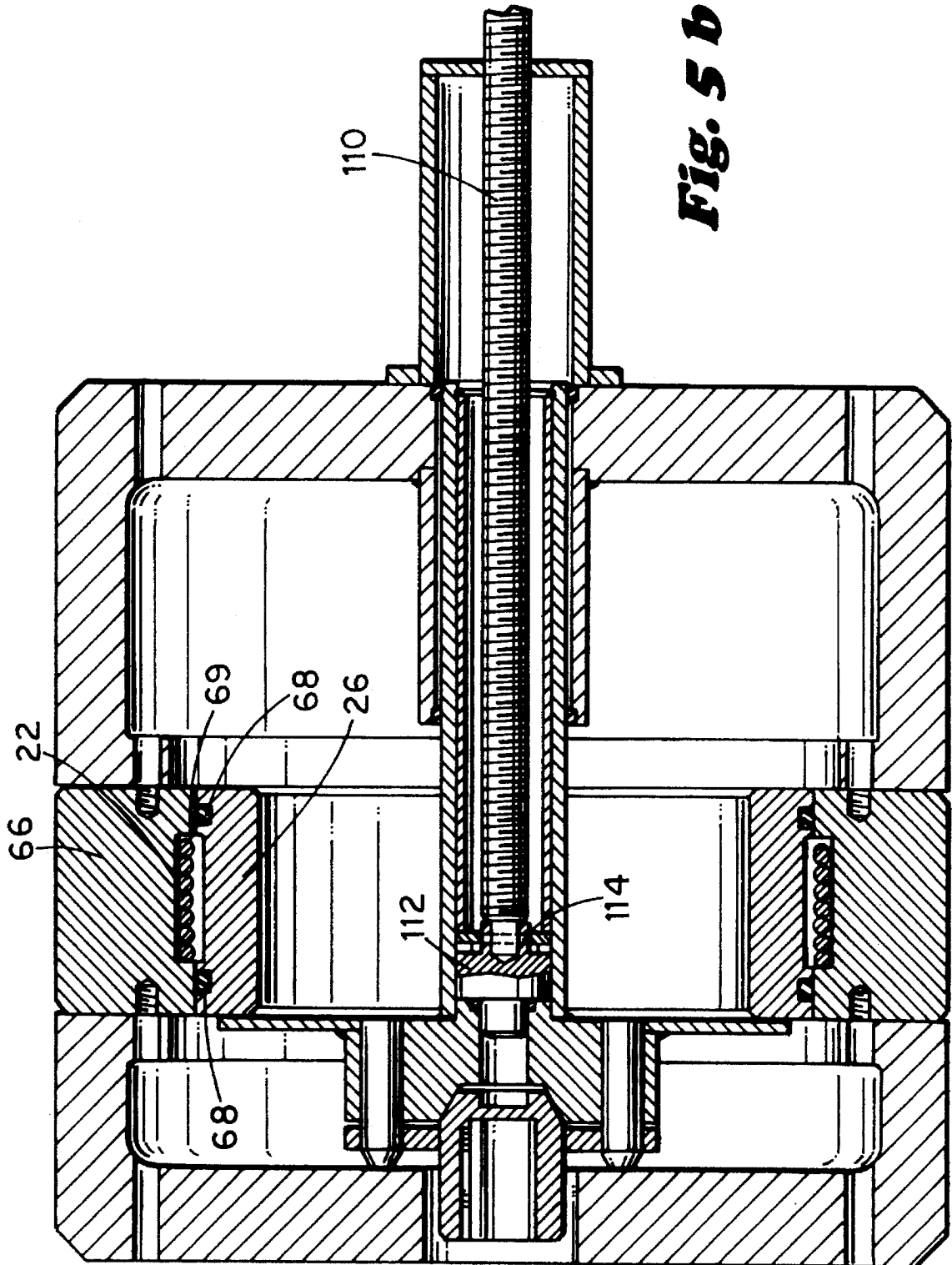


Fig. 5 b

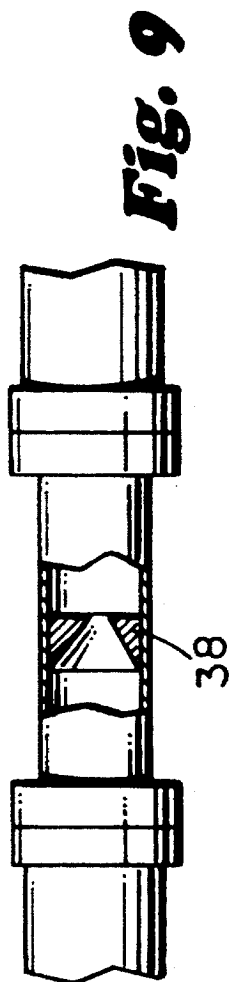


Fig. 9

Fig. 8

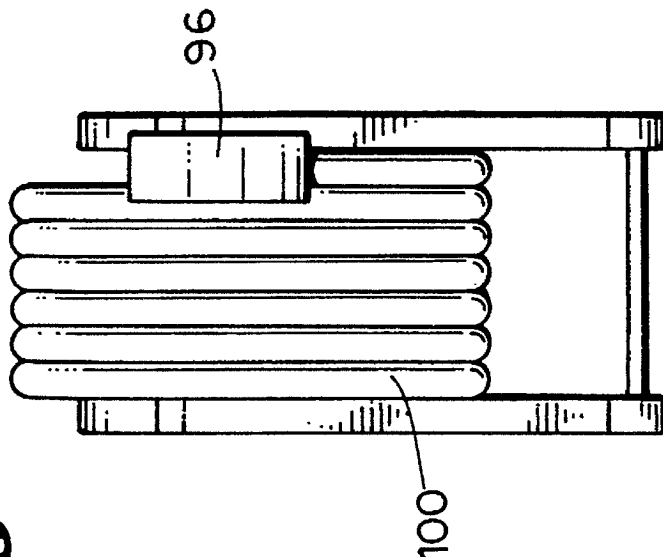
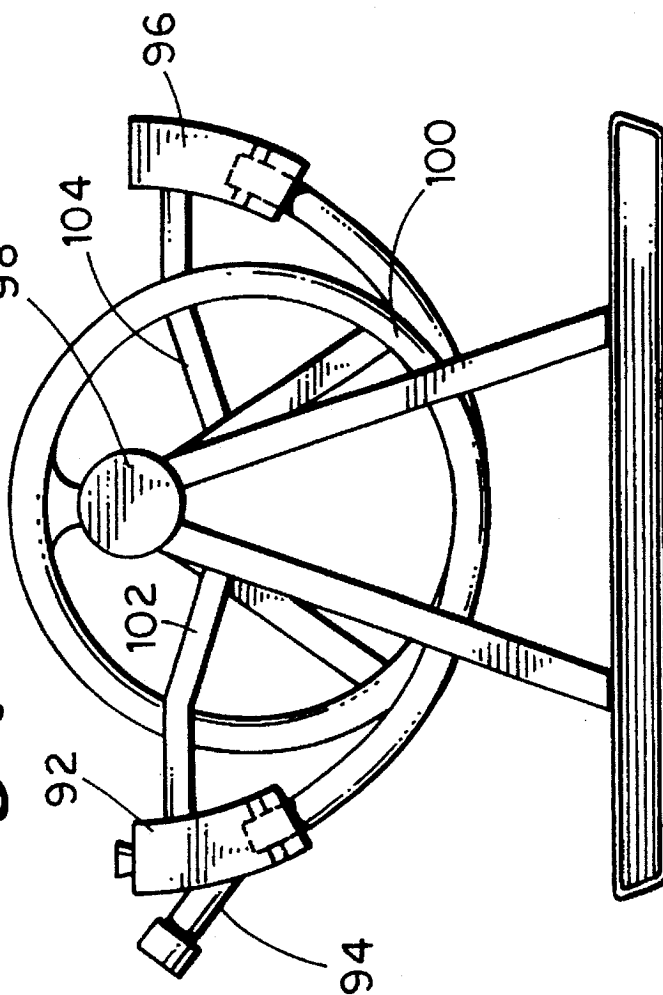


Fig. 7



METHOD AND APPARATUS FOR THE INJECTION OF CABLE INTO COILED TUBING

FIELD OF THE INVENTION

The present invention relates generally to the field of coiled tubing and, more particularly, to an apparatus for injecting cable into coiled tubing mounted upon a reel.

BACKGROUND OF THE INVENTION

Coiled tubing has proven its value and utility in a variety of applications, although a number of technological challenges remain. One such technological challenge involves the need for a technique for the injection of wire, cable, or small flexible tube into a reel of coiled tubing. As used herein, the term "cable" refers to all manner of wire or cable, now known or later developed, for the conduction of electromagnetic energy. The present invention is particularly adaptable but not limited to wireline applications.

In the past, cable has been installed on coiled tubing by first unreeling the coiled tubing from the reel and installing cable into the straightened tubing. There are two methods currently used for installing wire or cable into coiled tubing in this way. One method involves hanging the tubing from the reel into a well, dropping the cable into the tubing by gravity feed, and reeling in the tubing with the cable inside. The other method involves taking the coiled tubing to a long, unobstructed stretch of ground and stretching out 10,000–20,000 feet of coiled tubing. Then, a pig attached to the cable is inserted into the end of the tubing and is pumped through the tubing. Each of these methods costs about \$20,000 to perform including the costs of work crews, but not including the costs of the materials.

In the past, experiments have been performed in which the goal was to prove the efficacy of pumping cable into a reel of coiled tubing. These experiments involved pumping water or other suitable fluid into a reel of coiled tubing to generate a flow of sufficient velocity through the tubing to drag the cable through.

The problem with pumping a cable in occurs at the pressure boundary. Movement of the cable through the pressure boundary is resisted primarily by the pressure differential between the pressurized reel and outside ambient pressure as well as friction forces at the stuffing box or seal where the cable enters the pressurized reel. Therefore, the total force to inject the cable equals the cross-sectional area of the cable times that pressure trying to push it back out plus the force necessary to overcome the friction resistance of the seal.

These experiments were partly successful in proving that cable could, indeed, be pumped into a reel but experienced several shortcomings. The major shortcoming of this method was that cable could only be pumped into the reel a relatively short distance. After a relatively short distance, the force necessary to assist the cable into the reel became too great. This is a major drawback since, to be worthwhile, the cable must be installed into the entire length of coiled tubing, often 10–20,000 feet.

On the other hand, one major success of these experiments was the proof that the cable could be removed from a reel of tubing using the pumping technique. This proof, however, did not solve the problem of installing cable into coiled tubing while it is still on the reel.

One proposed solution to the cable installation problem involved placing a set of rollers within the pressure chamber that included the coiled tubing. This proposed solution proved difficult to implement and caused damage to the cable due to the small area of contact of the rollers with the cable. This technique also was incapable of sensing when the cable stopped moving into the coiled tubing and therefore created kinking of the cable.

The recognition of the drawback of the rollers inside the pressure led to another possible solution that involved putting the entire spool of cable inside a pressure chamber. The pressure chamber was to be made from refuse pipeline of about 4 feet in diameter. This arrangement eliminated the difficulty of drawing the cable into the differential pressure and the seal since there was no need for a seal. The problems with this apparatus were the cost and controllability of cable insertion. Difficulty was encountered in aligning the cable with the end of the coiled tubing and this technique proved unrealistically expensive to implement.

Thus, the solutions that have heretofore been proposed to solve the dilemma of installing cable into coiled tubing while it remains on the reel have all been less than satisfactory for one reason or another. Some such techniques have failed to install cable into sufficient length of tubing, some have offered significant promise but have proved impractical in application, while still others have caused damage to the cable or have been as expensive to implement as the old techniques that they were intended to replace. Therefore, there remains a need for a method and apparatus for the installation of cable into coiled tubing that is practical, effective, and yet cost effective.

SUMMARY OF THE INVENTION

The present invention solves these and other problems of the prior art by including a capstan within a pressure housing and may include a tensioning device downstream of the capstan to maintain a tractioning tension of the cable upon the capstan. From the capstan (or the tensioning device if needed), the cable is directed into a reel of coiled tubing. Placing a capstan within the pressure housing creates the necessary mechanical advantage to draw the cable into the pressure housing without damaging the cable and significantly reduces the size of the mechanism.

In a preferred embodiment, the tensioning device comprises a simple orifice plate through which the cable passes along with a flow of fluid. Alternatively, the tensioning device may comprise a mechanical tensioner, such as a set of rollers driven by, for example, a waterwheel-type device actuated by fluid flow. The orifice has a small clearance around the cable. The flowing fluid pulls the cable by differential pressure across the orifice plate to take the slack out of the cable on the capstan. If the cable stops moving into the reel of coiled tubing, the cable also stops moving through the tensioning device, forcing slack onto the capstan and the capstan stops gripping the cable. This acts as a passive sensing device or regulator to ensure smooth installation of the cable.

The rate of fluid flow through the orifice plate is controlled by piping connections upstream and downstream of the tensioning device and appropriate control valves on the piping connections.

To assist in the installation of the cable within the injector, the capstan is coupled to a hydraulic or manual retractor means. The capstan is withdrawn from within the pressure housing, the cable is placed within the housing for several

loops of cable, and the capstan is put back within the housing. Alternatively, the cable may be fed into the stuffing box and guide channels direct the cable onto the capstan and from there to the initial tensioner (if included) or out of the injector.

Other objects and features of the present invention will be immediately apparent to those of skill in the art from a review of the following detailed description and the accompanying drawings.

BRIEF DESCRIPTION OF THE DRAWINGS

FIG. 1. is a schematic drawing of an overall system for the installation of cable into coiled tubing in accordance with the present invention.

FIG. 2 is a schematic drawing of a cable injector applicable to the system of FIG. 1.

FIG. 3 is a side view of another preferred cable injector component.

FIG. 4 is an end view of the preferred cable injector depicted in FIG. 2.

FIG. 5a is a section view of a capstan that is a detail of the cable injector of FIG. 3. FIG. 5b is a section view of a preferred alternative embodiment of the capstan/pressure housing combination and associated components.

FIG. 6 is a schematic view of an overall system of another embodiment of the present invention.

FIG. 7 is a detail showing a side view of an oscillatory cable injector of FIG. 6.

FIG. 8 is an end view of the cable injector of FIG. 7.

FIG. 9 depicts details of an initial tensioner in a cable injector of the present invention.

DETAILED DESCRIPTION OF A PREFERRED EMBODIMENT

FIG. 1 depicts a system, shown generally as 10, for the installation of cable according to the present invention. The system includes a cable reel 12, a cable injector 14, and a reel of coiled tubing 16. The cable reel is standard in the industry and is about 3-6 feet in diameter, depending upon the length and gauge of the cable. The cable reel is generally mounted on its own spooling stand 18.

The reel of coiled tubing 16 is also widely known in the art. The reel 16 is generally mounted on its own spooling stand 20 in a manner known in the art for transport to and from the field. The present invention is intended for adaptation to coiled tubing sizes from 1.5" to 2.875". It is, of course, equally adaptable to small and larger sizes of tubing.

The present invention resides in the cable injector 14. The cable injector 14 takes the cable, in whatever form, from the cable reel 12 and injects the cable into the coiled tubing on the reel 16. A cable 22 leaves the cable reel 12 and enters the cable injector 14 at a stuffing box 24. The stuffing box 24 seals the injector and coiled tubing with high pressure fluid, usually water or slick water, from outside ambient pressure. The cable then wraps around a capstan 26 that provides the motive force to draw the cable 22 into the injector 14 against the differential pressure between the injector and ambient, as well as the friction at the stuffing box 24. At design, the capstan is capable of running the cable into the coiled tubing at at least 150 feet per minute.

With properly functioning stuffing box seal and piping couplings, the present invention is leak proof, although a catch basin (not shown) may be used to eliminate any spillage of leaking fluids.

Downstream of the capstan 26 is an optional initial tensioner or flow nozzle 28. The cable is then injected into an end 30 of the coiled tubing at a tubing connector 32.

FIG. 2 provides more detail of the injector 14. In FIG. 2, the injector receives the cable 22 at a cable inlet 34 into the stuffing box. The cable then passes onto the capstan 26 where it wraps around the capstan a number of times, perhaps 3-5 times. The capstan 26 is enclosed within a pressure boundary formed by the injector 14. After the capstan the cable passes into an initial tensioner or flow nozzle 28. FIG. 9 depicts one such flow nozzle, in this case an orifice plate 38. The orifice plate provides a slight tension in the cable on the capstan due to the differential pressure, perhaps 30 psid, across the plate.

FIG. 2 also depicts flow couplings to the injector 14. A pump 40, for example a positive displacement pump, is connected to a flange 42 to provide high pressure fluid to the injector. The fluid provided by the pump 40 is divided between an inlet 44 and an outlet 46 to provide a differential pressure across the initial tensioner 28, if included. This differential pressure sets up the controlled flow that provides tension to the cable. The control is provided by a set of control valves 48 of the conventional type.

FIG. 2 depicts what may be referred to as a "bottom entry" injector system. Alternatively, FIGS. 3 and 4 depict a "top entry" injector system. More importantly, FIGS. 3 and 4, along with the section view of FIG. 5, depict a particular feature of the present invention that enables safe and easy installation of a cable onto the capstan.

Turning first to FIGS. 3 and 4, the stuffing box 24 accepts the cable (not shown) at an inlet 50. The cable wraps around the capstan 26 and is directed into a flow nozzle 28. FIG. 4 shows further details as viewed from the right side of the injector of FIG. 3. The tubing connector 32 couples the injector to the coiled tubing.

The injector 14 forms a pressure housing to seal the system at injection pressures, which may be as much as 5000 psi, for example. A prime mover 52 provides the drive for the capstan 26. The prime mover 52 may be an electric or hydraulic motor. The prime mover is coupled to a drive plate 54 and is supported by a pedestal mount 56. On the other side of the injector 14, a hydraulic actuator 58 is connected to the capstan through a bearing housing 60. The hydraulic actuator may be replaced with a manually operated actuator, if desired. The actuator permits retracting the capstan (with the system depressurized) from the injector 14 for the installation of the cable onto the capstan. The hydraulic actuator 58 and bearing housing is also mounted upon a pedestal mount 62.

Referring now to FIG. 5a, further details of the injector are depicted. As previously described, the prime mover 52 connects to the capstan 26 via the drive plate 54. The drive plate 54 releasably connects to the capstan through a set of drive pins 64. The drive pins 64 permit the capstan to slide off the drive mechanism for the insertion of the cable into the injector. The injector includes a pressure housing 66 that seals to the capstan 26 with one or more seals 68. The seals 68 seal off a pressure cavity 69 that holds the cable as it is wrapped on the capstan.

With the capstan 26 withdrawn from the pressure housing 66, cable is inserted into the stuffing box 24. Then, as more cable is fed into the injector, it is manually assisted around the interior cavity of the housing until a number of loops of cable have been inserted. Next, the cable is inserted into the inlet segment 44. Finally, the capstan is returned to within the pressure housing where the seals 68 seal the off the cavity 69.

5

The hydraulic (or manual) actuator **58** connects to the capstan **26** with a cylinder rod **70**. The cylinder rod **70** delivers axial motion to the capstan through a ball connector **72** and ball sockets **74**. A stabbing nose **76** rotates with the prime mover **52** within a bearing **78** and a socket **80**. This entire structure allows the retraction of the capstan from the housing to expose the (depressurized) pressure cavity **69** for cable installation. This defines an additional feature of the present invention, that the capstan itself forms part of the pressure boundary for cable injection.

FIG. **5b** depicts a section view of a preferred embodiment of a capstan within a pressure housing. In this case, a long threaded rod **110** permits manually cranking the capstan out of the pressure housing. The rod **110** is pinned to a coupling member **112** by a pin **114**. The other end of the rod **110** is operated by a manual crank, handwheel, or the like, to withdraw the capstan **26** from the housing **66** and reinsert it. In FIG. **5b**, the cable **22** is shown in the position it will be in after being inserted into the housing and after reinsertion of the capstan but before tensioning the cable onto the housing.

FIGS. **6**, **7**, and **8** depict an alternative embodiment of the present invention. In FIG. **6**, the cable reel **12** and reel of coiled tubing **16** are as before. In this case, however, a cable injector **90** comprises an eccentric, oscillating capstan, shown in greater detail in FIGS. **7** and **8**. The cable **22** enters a stuffing box **92** that also includes a fluid injection coupling **94**. A tubing connector **96** connects the injector **90** to the coiled tubing **30**. A prime mover **98** provides oscillatory movement to the injector **90**.

In this case, the capstan is one and the same with the pressure housing. As the cable coils through the capstan, it remains within a coiled housing **100**. Fluid injected into the coupling **94**, along with the friction of the stuffing box **92**, acts like a brake so that, on the clockwise stroke, cable is held stationary while the coiled housing **100** slides into the stuffing box **92**. During movement of the coiled housing **100**, the stuffing box **92** and the tubing connector **96** remain stationary, held steady by brace members **102** and **104**. Then, on the counterclockwise stroke, the capstan effect of the coiled housing **100** advances the cable forward out the tubing connector and into the coiled tubing. A seal **106** and a seal **108** seal either end of the coiled housing **100**. The embodiment of FIGS. **6**, **7**, and **8** installs the cable in measured bites, unlike the continuous action of the previous description, but it has the advantage of significant simplicity. This embodiment also significantly reduces the size of high pressure seals that may require maintenance.

The principles, preferred embodiment, and mode of operation of the present invention have been described in the foregoing specification. This invention is not to be construed as limited to the particular forms disclosed, since these are regarded as illustrative rather than restrictive. Moreover, variations and changes may be made by those skilled in the art without departing from the spirit of the invention.

We claim:

1. A system for the installation of cable into coiled tubing on a reel, comprising:
 - a. a source of cable;
 - b. a cable injector, the injector comprising
 - i. a stuffing box for receiving cable from the source of cable and for providing a pressure boundary between ambient and the injector;
 - ii. a pressure housing coupled to the stuffing box;
 - iii. a capstan within the pressure housing upon which the cable is wound; and

6

- iv. an outlet connector coupled to the pressure housing; and
- c. a reel of coiled tubing arranged to be connected to the outlet connector.
2. A cable injector for the injection of cable from a source of cable into coiled tubing on a reel, comprising
 - a. a stuffing box for receiving cable from the source of cable and for providing a pressure boundary between ambient and the injector;
 - b. a pressure housing coupled to the stuffing box;
 - c. a capstan within the pressure housing upon which the cable is wound; and
 - d. an outlet connector coupled to the pressure housing.
3. A system for the installation of cable into coiled tubing on a reel, comprising:
 - a. a source of cable;
 - b. a cable injector, the injector comprising
 - i. stuffing box for receiving cable from the source of cable and for providing a pressure boundary between ambient and the injector;
 - ii. a pressure housing coupled to the stuffing box and for receiving the cable from the stuffing box, the pressure housing comprising a coil-shaped oscillating capstan drive;
 - iii. a fluid coupling connected to the pressure housing for receiving a flow of fluid through the pressure housing; and
 - iv. an outlet connector coupled to the pressure housing; and
 - c. a reel of coiled tubing arranged to be connected to the outlet connector for receiving the cable from the pressure housing.
4. The system of claim **1** further comprising a pressure cavity between the pressure housing and the capstan for receiving the cable.
5. The injector of claim **2** further comprising a pressure cavity between the pressure housing and the capstan for receiving the cable.
6. The system of claim **1** further comprising a hydraulic actuator coupled to the capstan for retracting the capstan from the pressure housing and for inserting the capstan into the pressure housing.
7. The injector of claim **2** further comprising a hydraulic actuator coupled to the capstan for retracting the capstan from the pressure housing and for inserting the capstan into the pressure housing.
8. The system of claim **1** further comprising a manual actuator coupled to the capstan for retracting the capstan from the pressure housing and for inserting the capstan into the pressure housing.
9. The injector of claim **2** further comprising a hydraulic actuator coupled to the capstan for retracting the capstan from the pressure housing and for inserting the capstan into the pressure housing.
10. The system of claim **1** further comprising a prime mover to rotate the capstan.
11. The injector of claim **2** further comprising a prime mover to rotate the capstan.
12. The system of claim **10** further comprising a drive plate between the prime mover and the capstan to couple and de-couple the prime mover from the capstan.
13. The injector of claim **11** further comprising a drive plate between the prime mover and the capstan to couple and de-couple the prime mover from the capstan.
14. The system of claim **1** further comprising an initial tensioner coupled to the pressure housing to provide tension to the cable on the capstan.

7

15. The injector of claim 2 further comprising an initial tensioner coupled to the pressure housing to provide tension to the cable on the capstan.

16. The system of claim 14 further comprising a source of pressurized fluid coupled to the injector and wherein the initial tensioner comprises an orifice plate with an orifice slightly larger than the cable to provide tension to the cable through differential pressure.

8

17. The injector of claim 15 further comprising a source of pressurized fluid coupled to the injector and wherein the initial tensioner comprises an orifice plate with an orifice slightly larger than the cable to provide tension to the cable through differential pressure.

* * * * *